



Natronics

AUTOMATION





alfariss

24V actuator
for domestic sliding gates
weighing up to 300 kg



ayros

230V / 24V actuator
for domestic and industrial
sliding gates
weighing 400 to 1200 kg



forteco

230V actuator
for industrial sliding gates
weighing 1800 to 2500 kg

PLUS

ALL versions:

- Built-in digital control unit
- Programming using 3 program buttons and display
- Automatic self-learning of opening and closing times
- Electronic magnetic limit switches, all accurate and reliable over time
- Obstacle detection
- Accurate and safe operation with encoder
- Synchronized operation of two motors using the SYNCRO module

24V versions:

- Work with solar power using the ECO-LOGIC system
- Operation in case of absence of power using the B-PACK backup battery
- Transformer easy to remove
- Programmable acceleration and deceleration



AVAILABLE IN KIT

- 1 motor (ALFARISS / AYROS / FORTECO)
- 2 transmitters PHOX2
- 1 receiver module MR2

axil

24V irreversible electromechanical actuator

for swing gates with leaves
up to 2.8 m in length and 300 Kg



AVAILABLE IN KIT: 2 MOTORS + 1 CONTROL UNIT + 1 RECEIVER MODULE + 2 TRANSMITTERS

calypso

24V irreversible electromechanical actuator

for swing gates with leaves
up to 3 m in length

Available in two versions:
CALYPSO 400 for leaves up to 2.5 m and 300 Kg
CALYPSO 500 for leaves up to 3 m and 400 Kg

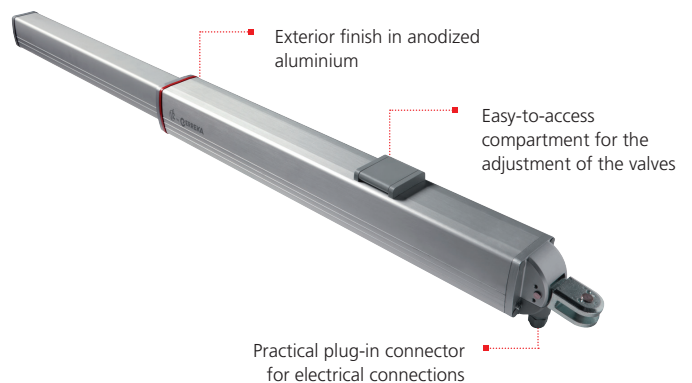


AVAILABLE IN KIT: 2 MOTORS + 1 CONTROL UNIT + 1 RECEIVER MODULE + 2 TRANSMITTERS

ursus

230V hydraulic actuator

for swing gates with leaves
up to 6 m in length and 700 Kg



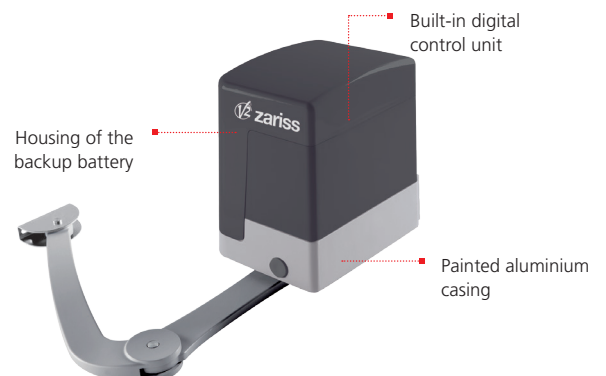
FOR INTENSIVE USE

zariss

24V irreversible electromechanical pivoting arm actuator

for swing gates with leaves
up to 2.2 m in length and 250 Kg

Built-in digital control-unit



AVAILABLE IN KIT: 2 MOTORS + 1 RECEIVER MODULE + 2 TRANSMITTERS

ciclon

230V irreversible electromechanical pivoting arm

for swing gates with leaves
up to 2,5 m in length and 400 Kg

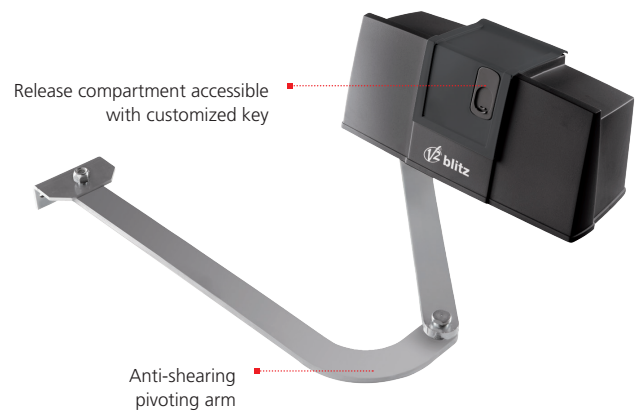
FIT IN ONLY 10 CM POST



blitz

24V irreversible electromechanical pivoting arm

for swing gates with leaves
up to 3 m in length and 800 Kg



jedi

24V electromechanical irreversible actuator

for sectional and balanced doors
up to 15 m² (100N)



AVAILABLE IN KIT: 1 MOTOR + 3,3 m CHAIN GUIDE + 2 TRANSMITTERS

phox

Personal Pass transmitter

433.92 - 868.30 MHz
rolling code
working range of 350 m in the open



PLUS

- Rolling code transmission
- 433.92 MHz and 868.30 MHz version
- 2-button and 4-button version, programmable or factory set
- Easy and fast to program
- Possibility to obtain up to 14 channels by combining the pressure of multiple buttons
- Available in multi-colour packs: 10 transmitters in 5 different colours (2 transmitters per colour)

AVAILABLE IN KIT:
2 TRANSMITTERS
1 RECEIVER (24V)



MULTI-COLOUR PACK

10 PCS 5 COLOURS



sirmo-digit

Wall-mounted digital radio switch

No needs to wire!
Works with battery!



PLUS

- Outdoor installation (IP55 case)
- 2 x AAA batteries included
- Rolling code radio version (works like a normal Personal Pass transmitter)
- No wires required!
- Die-cast aluminium frame, fashionable design
- Possibility to program up to 9 different channels
- Safe enabling by typing a custom combination from 1 to 8 digits
- Backlit keyboard
- Low battery warning

WIRED VERSION ALSO AVAILABLE

next

Wall-mounted Radio proximity system (READ ONLY keys)

No needs to wire!
Works with battery!



next-tag



next-card



master

PLUS

- Die-cast aluminium frame, fashionable design
- The digital radio switch NEXT does not need any electrical wiring and sends a code like a Personal Pass transmitter (433.92 MHz)
- Visual signalling through LED and acoustic through internal buzzer
- Low battery warning
- Inner seal to ensure maximum tightness of the container
- 2 x AAA batteries included

pmr

Wall-mounted Personal Pass transmitter

433.92 MHz
rolling code



PLUS

- Rolling code transmission
- Working range of up to 20 m in closed environments, passing through even 2 main walls, and 200 m in the open
- Batteries included
- Option to automatically prolong transmission for 3 seconds
- Automatic 3 time repetition of the last command executed

eco-logic

Solar energy kit

Over 100 cycles a day!



PLUS

- ECO-LOGIC is the new V2 system to power the 24V automations with just solar energy
- Allows the automation of installations, very far from the mains, without excavation works
- The panel converts the solar light into electric energy, stored in the battery box
- The battery box provides full autonomy to V2 24V systems, day and night and even after long periods of bad weather
- In the event of batteries being fully discharged, a quick charge is available via the additional 230V power adaptor
- Possibility to install an additional panel for intensive use or installed in the shade automations

sensiva-xs

Miniaturized wall- and pillar-mounted photocells, synchronised and self-aligning

PLUS

- Very small size (84x29x24 mm)
- They can be installed inside the GARD0 pillars
- Synchronised: the synchronism circuit allows the installation of two pairs of very close photocells, without them interfering with one another
- Secure: immune to interference from sunlight and rain



sensiva-180

Wall-mounted photocells, adjustable (180°) and synchronised

PLUS

- Adjustable up to 180° on the horizontal axis and 30° on the vertical axis
- Synchronised: the synchronism circuit allows the installation of two pairs of very close photocells, without them interfering with one another
- Secure: immune to interference from sunlight and rain



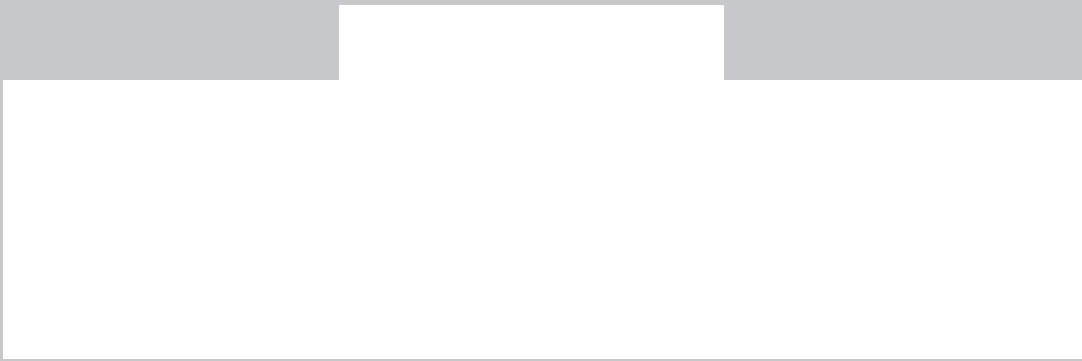
sensiva-wl

Wireless, synchronized, adjustable (180°), wall mounted photocells with battery powered transmitter

PLUS

- Possibility to connect a resistive or traditional safety edge on the transmitter
- Synchronised: ability to set two different transmission codes to simultaneously use two pairs of photocells without mutual interference
- Adjustable up to 180° on the horizontal axis and 30° on the vertical axis
- 2 AAA batteries included





www.natronics.co.nz

Natronics Automation Ltd

Tel. 022 1037 419

Sales@Natronics.co.nz